

# WEISER®

## Introducing SQUARE ROSE KEY CONTROL DEADBOLT



Featuring  **SMARTKEY  
SECURITY™**

The contemporary square rose Key Control Deadbolt is the perfect solution for multi-family dwellings and rental complexes. Features a property manager cylinder and a tenant cylinder, so both users have individual access to the same property.

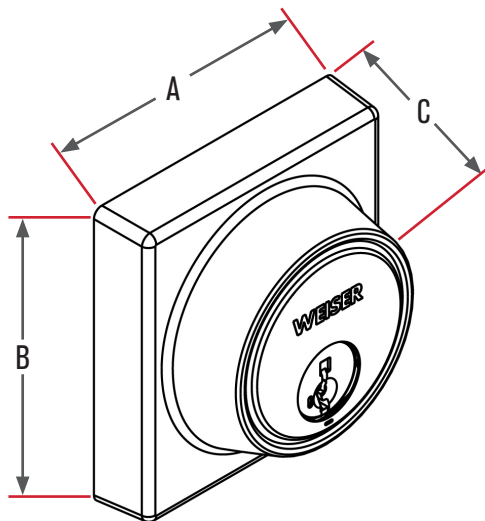
- Features SmartKey® Re-Key Technology so either cylinder can be rekeyed in seconds
- Features Microban Anti-Microbial technology
- ANSI/BHMA Grade 2 Certified Security & Quality
- Easy Installation with adjustable through bolt
- Lifetime Mechanical and Finish Warranty



## Specifications

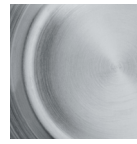
<b>Door Prep</b>	<ul style="list-style-type: none"> <li>▪ Cross Bore 2-1/8".</li> <li>▪ Edge Bore 1".</li> </ul>
<b>Backset</b>	Adjustable to 2-3/8" or 2-3/4".
<b>Door Thickness</b>	<ul style="list-style-type: none"> <li>▪ 1-3/4" doors standard thickness.</li> <li>▪ Thick door service part available for up to 2-1/4".</li> </ul>
<b>Cylinder</b>	<ul style="list-style-type: none"> <li>▪ 2 SmartKey® cylinders: 1 Standard SmartKey® for users.</li> <li>▪ 1 Secure new patented keyway for Key Control.</li> </ul>
<b>Faceplates</b>	1" x 2-1/4". Square, radius corner and drive-in standard.
<b>Strikes</b>	1" x 2-3/4" square or round corner.
<b>Bolt</b>	1" throw.
<b>Door Handing</b>	Reversible for right or left-hand doors.
<b>ANSI/BHMA</b>	Deadbolt is Grade 2 Certified.
<b>UL</b>	<ul style="list-style-type: none"> <li>▪ Meets 3 hour fire rating for all UL functions when fronted latches used.</li> <li>▪ Meets 20 minute with drive-in latch.</li> </ul>
<b>ADA</b>	All Weiser product meets ASTM E 331 water penetration testing.

## Dimensions



Dimensions	A	B	C
Key Control	2 3/4"	2 7/8"	1 1/4"

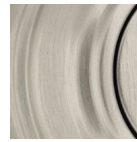
## Finishes



26D  
Satin  
Chrome



26  
Polished  
Chrome



15  
Satin  
Nickel



514  
Matte  
Black



Weiser's SmartKey™ Technology provides homeowners with the superior security that is resistant to a variety of common break-in methods.

This technology also allows homeowners to re-key their locks themselves in seconds, rendering lost or un-returned keys useless.



Bacteria can double every 20 minutes on unprotected surfaces. Microban protection works to continuously fight off microbes.

\*99% cleaner than unprotected surfaces

weiserlock.com ▪ 1-800-501-9471

**CANADA'S #1 SELLING LOCK BRAND\***

Weiser is a trademark of Spectrum Brands, Inc. © 2017 Spectrum Brands, Inc.